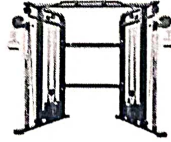





Letter No. IHM/BTI/2022/890
Date: 09/08/2022




QUOTATION NOTICE FOR GYM ITEMS

Sealed quotations are invited from the Authorized Dealers/ Distributors/ Agents/ Suppliers/ Service Providers for the **GYM ITEMS** of the Institute of Hotel Management, Bathinda as detailed below:-

S no.	Item name	Specification	Image of the Equipment for reference.	Qty Required	Rate Per Pc. Inclusive of Taxes/ Freight etc.
1.	Functional Trainer	Dimension:- 198.1 x 119.4 x 229 Centimeters Material:- Alloy steel. Item weight:- 300 Weight capacity:- 120		01 Pc	
2.	Plates rubberized (120) kg	Dimension:- 27.2 x 26.7 x 8.9 Centimeters Material:- Rubber Shape:- Round		120 Kg in Different sizes	
3.	Dumbbells Imported (105)kg	Dimension:- 15 x 10 x 5 Centimeters Material:- Rubber		105 Kg in Different sizes	
4.	Battle rope 30F	Dimension:- 21 x 39.2 x 40.2 Centimeters Size:- 30 Ft Material type:- Polyester Item weight:- 8kg U			

INDUSTRIAL GROWTH CENTRE, MANSA ROAD, BATHINDA, PUNJAB 151001

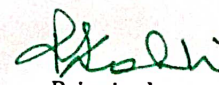
Phone: 0164 - 2430454, 2430654 | E-mail: ihm@ihmbti.com | Website: www.ihmbti.com

5.	Triceps Rope	Dimension:- 68 x 5 x 5 Centimeters Material type:- Nylon Braided Rope With Solid Rubber Ends		01 pc	
6.	Rowing handle	Material type:- Iron Item weight:- 2kg 500g		01 pc	
7.	20 inch Solid LAT Bar rod	Material types:- Alloy steel Item weight :- 1kg		01 pc	

Terms and Conditions:-

1	Validity of the Rates	Upto 31 st of March 2023
2	GST/ Taxes/ Freight/ Transportation etc:-	Inclusive.
3	Installation Charges:-	Inclusive
4	Last Date of Submission of sealed quotations:-	30.08.2022 upto 2.00 p.m.
5	Date of Opening and venue of opening of quotations:-	30.08.2022 at 3.00 p.m. at the Committee Room of the IHM, Bathinda.

The Principal, IHM Bathinda reserves the right to reject any / all quotations without assigning any reason.


Principal

Date:- 9/8/2022

Endst No:- _____

Copy of the above to:-

- 1) Website of Institute.
- 2) Notice Board

INDUSTRIAL GROWTH CENTRE, MANSA ROAD, BATHINDA, PUNJAB 151001

Phone: 0164 - 2430454, 2430654 | E-mail: ihm@ihmbti.com | Website: www.ihmbti.com